

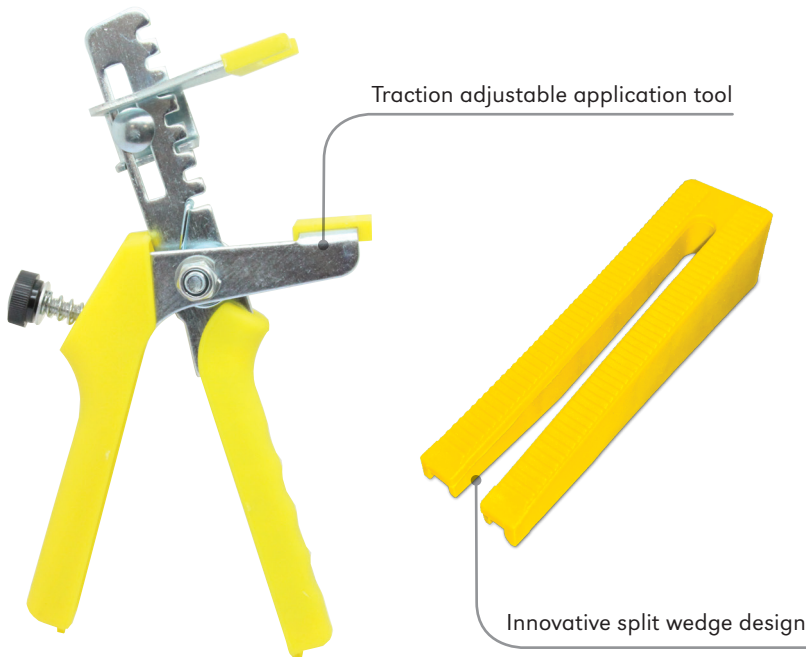
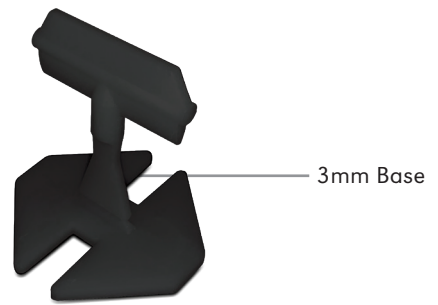
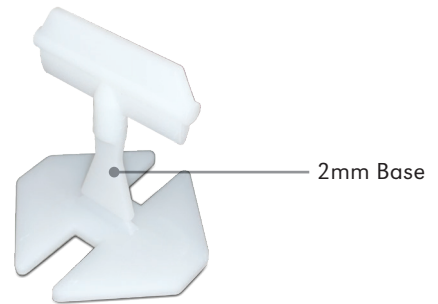
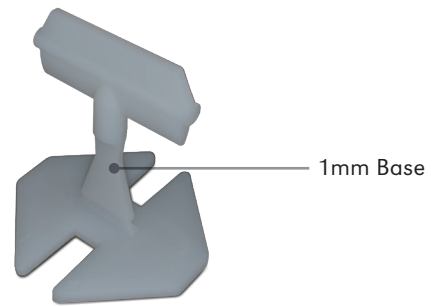


## GLS Wedge

### Features & Benefits

- Improved accuracy and installation speed
- Traction adjustable applicator
- Perfect for all types of tiles
- Maximum working depth 12mm
- Consistent grout lines (1mm, 2mm or 3mm)
- Ideal for walls and floors

Code	Description	Qty
639	<b>NEW</b> 1mm Levelling Base 100pcs per pack	40
640	2mm Levelling Base 100pcs per pack	40
641	<b>NEW</b> 3mm Levelling Base 100pcs per pack	40
642	<b>NEW</b> Starter Pack. Includes: 640, 644, 646	
644	Levelling Wedge 100pcs per pack	20
646	Application Tool	24

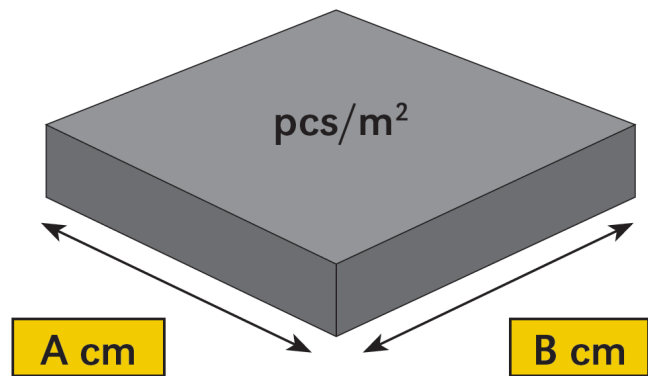


+44 (0)1642 713000 [info@genesis-gs.com](mailto:info@genesis-gs.com)  
[www.genesis-gs.com](http://www.genesis-gs.com)



## GLS Wedge

### Features & Benefits



A cm																B cm	
10	200																
15	133	89															
20	100	67	50														
25	80	53	40	32													
30	100	67	50	40	44												
33	91	61	45	36	40	37											
40	75	50	37	30	33	30	25										
45	67	44	33	27	30	27	22	20									
50	60	40	30	24	27	24	20	18	16								
60	50	33	25	20	22	20	17	15	13	11							
80	50	33	25	20	21	19	16	14	12	10	9						
90	44	30	22	18	19	17	14	12	11	9	8	7					
100	50	33	25	20	20	18	15	13	12	10	9	8	8				
120	42	28	21	17	17	15	13	11	10	8	7	6	7	6			
	10	15	20	25	30	33	40	45	50	60	80	90	100	120			

Example: A = 60cm; B = 30cm  
22 pcs/m<sup>2</sup> required

+44 (0)1642 713000 info@genesis-gs.com  
www.genesis-gs.com

